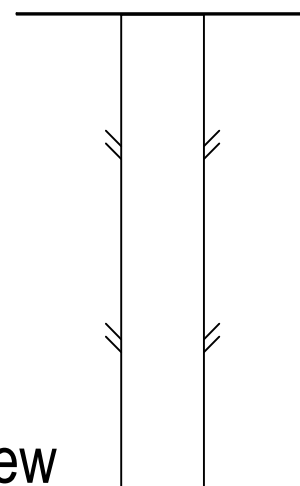
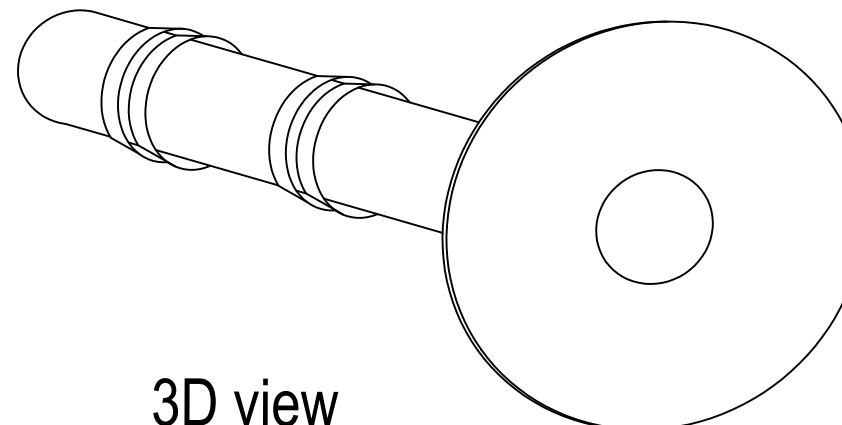


Plan view



Section view



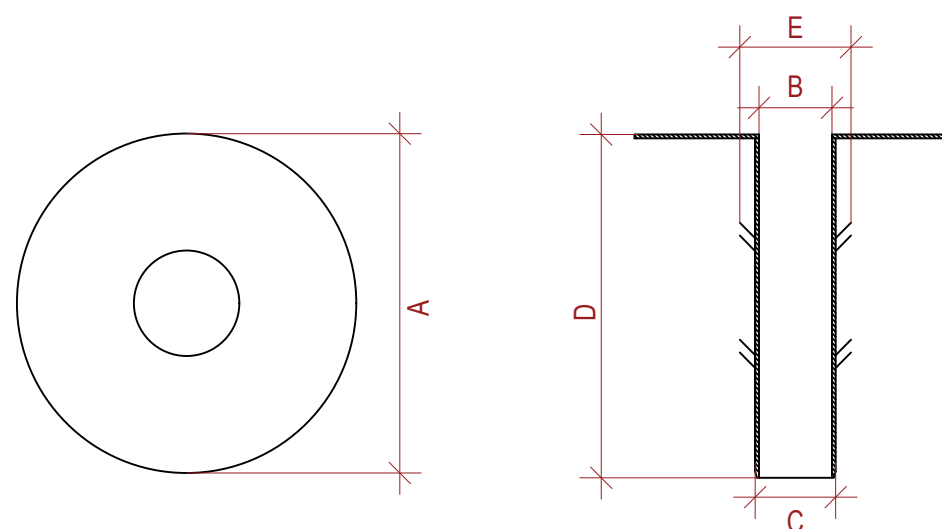
3D view

PVC Refurb	A (mm)	B (mm)	C (mm)	D (mm)	E (mm)	Thickness (mm)	Flowrate (l/s) *
63mm	330	44	49	400	57	2.5	1.6
75mm	330	57	62	400	70	2.5	2.1
90mm	330	72	77	400	85	2.5	2.5
100mm	330	82	87	400	95	2.5	2.8
110mm	390	92	97	400	105	2.5	3
125mm	390	103	108	400	118	2.5	3.5
150mm	390	130	135	400	145	2.5	4.1

*at 35m head of water

Key:

- A - Base Plate
- B - Internal Diameter
- C - External Diameter
- D - Spigot Length
- E - External Diameter + Fins



Waterproofing should be installed in accordance with BS 6229:2003 and SIG Design & Technology fixing instructions.

The details shown are indicative and for approval only and do not form part of any contract.

Data sheets for all IKO Polymeric and IKO PLC products are available on request via SIG Design & Technology.

Project specifications are available on request via SIG Design & Technology.

Further information on all IKO Polymeric products and services as well as IKO PLC products can be obtained through the contact details printed below.



SIG Design & Technology
 Mannheim House, Gelders Hall Road
 Shepshed, Leicestershire LE12 9NH
 Tel: 0844 443 4778 Fax: 01509 505475
 Internet: www.singleply.co.uk
 Email: info@singleply.co.uk

TITLE:
**PVC REFURB ROOF DRAIN DETAIL
 TECHNICAL INFO**

DATE: 06.04.2017	DRAWN BY: RH	SCALE: NTS
---------------------	-----------------	---------------

DRAWING No: GR-6bb	REVISION:
-----------------------	-----------