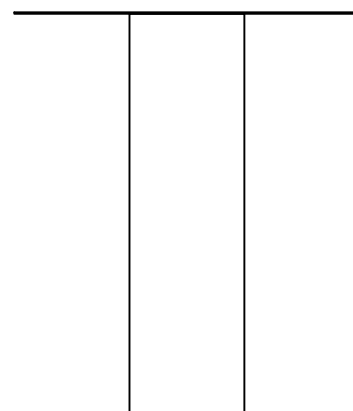
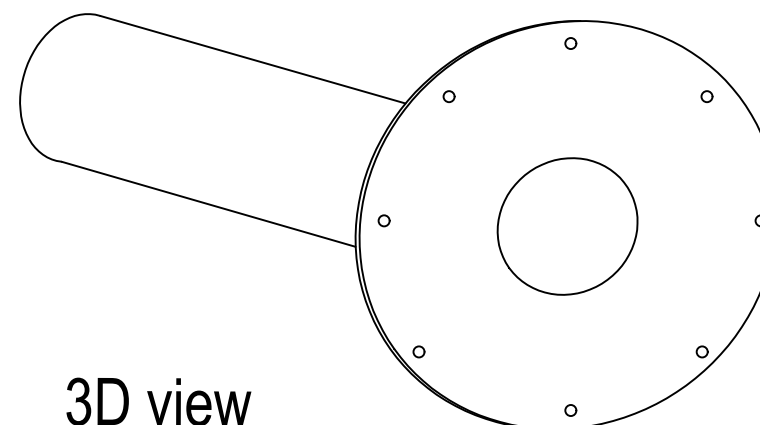


Plan view



Section view



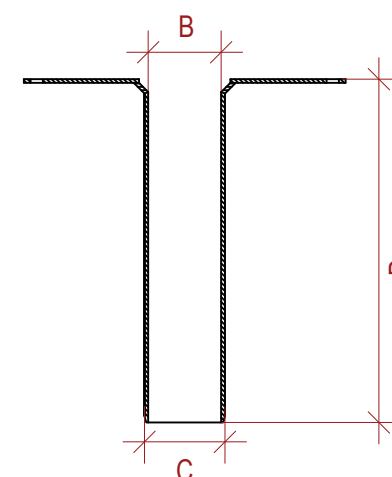
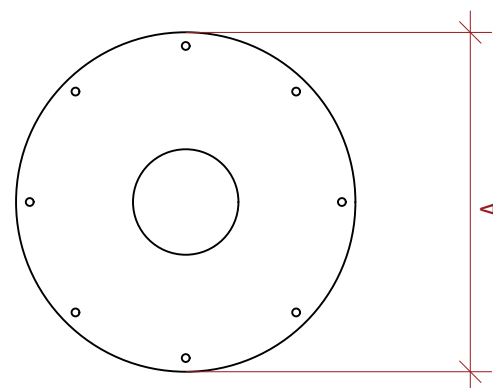
3D view

PVC	A (mm)	B (mm)	C (mm)	D (mm)	Thickness (mm)	Flowrate (l/s) *
50mm	300	43	50	330	3.5	1
56mm	300	49	56	330	3.5	1.2
63mm	300	56	63	330	3.5	1.6
75mm	300	69	75	330	3.5	2.1
90mm	385	83	90	330	3.5	2.5
95mm	385	89	95	330	3.5	2.7
110mm	385	103	110	330	3.5	3
125mm	385	118	125	330	3.5	3.5
140mm	385	133	140	330	3.5	3.9
160mm	385	153	160	330	3.5	4.4

*at 35m head of water

Key:

- A - Base Plate
- B - Internal Diameter
- C - External Diameter
- D - Spigot Length



Waterproofing should be installed in accordance with BS 6229:2003 and SIG Design & Technology fixing instructions.

The details shown are indicative and for approval only and do not form part of any contract.

Data sheets for all IKO Polymeric and IKO PLC products are available on request via SIG Design & Technology.

Project specifications are available on request via SIG Design & Technology.

Further information on all IKO Polymeric products and services as well as IKO PLC products can be obtained through the contact details printed below.



SIG Design & Technology
 Mannheim House, Gelders Hall Road
 Shepshed, Leicestershire LE12 9NH
 Tel: 0844 443 4778 Fax: 01509 505475
 Internet: www.singleply.co.uk
 Email: info@singleply.co.uk

TITLE:

**ROOF DRAIN DETAIL
 TECHNICAL INFO**

DATE:

06.04.2017

DRAWN BY:

RH

SCALE:

NTS

DRAWING No:

GR-6aa

REVISION: