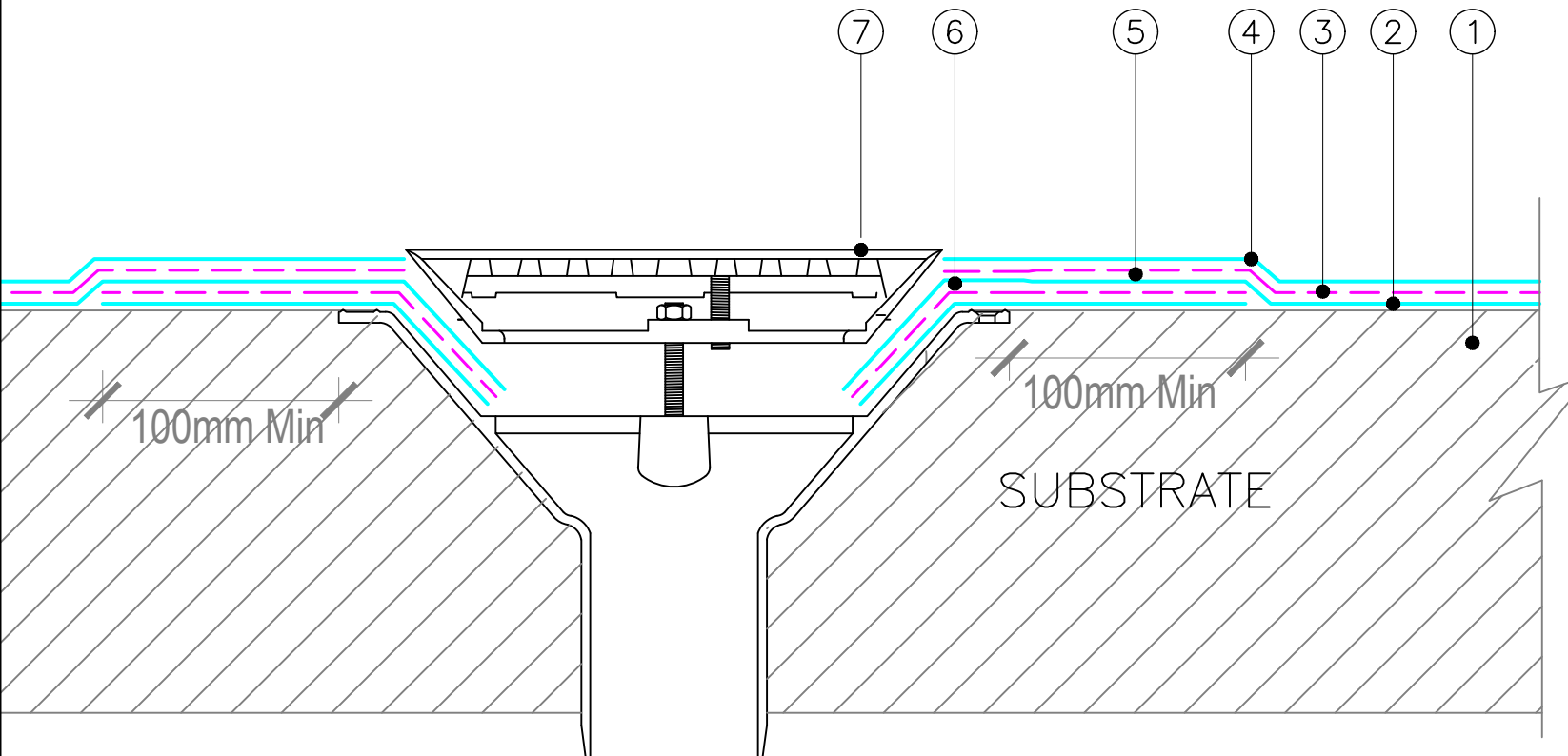


1. Substrate to minimum 1:80 achieved falls primed with AH+ Primer - Consult Primer Chart
2. AH+ Base Coat
3. AH+ Reinforcement Fabric
4. AH+ Top Coat
5. 100mm overlap of upstand Liquid & Reinforcement to Field area Liquid & Reinforcement
6. 250mm AH+ Liquid & Reinforcement Fabric dressed into outlet
7. SIG D&T Metal Clamp Outlet fully cleaned and free from grease and dirt prior to AH+ application



Waterproofing should be installed in accordance with BS 6229: (Current Iteration).

AH+ Primer Chart should be consulted for relevant Primer to be utilised before commencing with AH+ waterproofing.

The details shown are indicative and for approval only and do not form part of any contract.

Further information on all AH+ products and services can be obtained through the contact details printed below.



SIG Design & Technology
 Mannheim House, Gelders Hall Road
 Shepshed, Leicestershire LE12 9NH
 Tel: 0844 443 4778 Fax: 01509 505475
 Internet: www.singleply.co.uk
 Email: info@singleply.co.uk

TITLE:
**AH+ RAINWATER OUTLET DETAIL
 COLD ROOF**

DATE: 23.08.2019	DRAWN BY: RH	SCALE: NTS
---------------------	-----------------	---------------

DRAWING No: AH+3CR	REVISION:
-----------------------	-----------