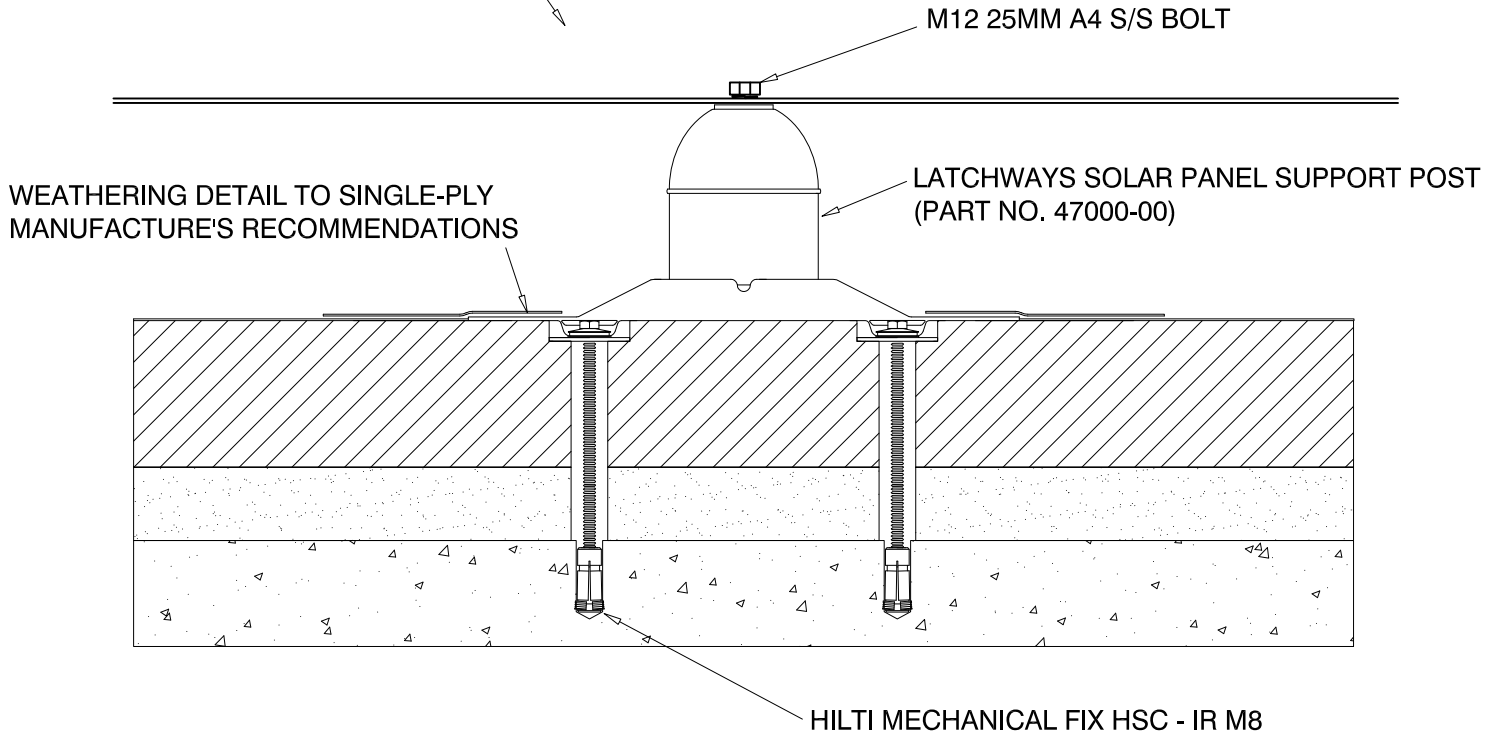


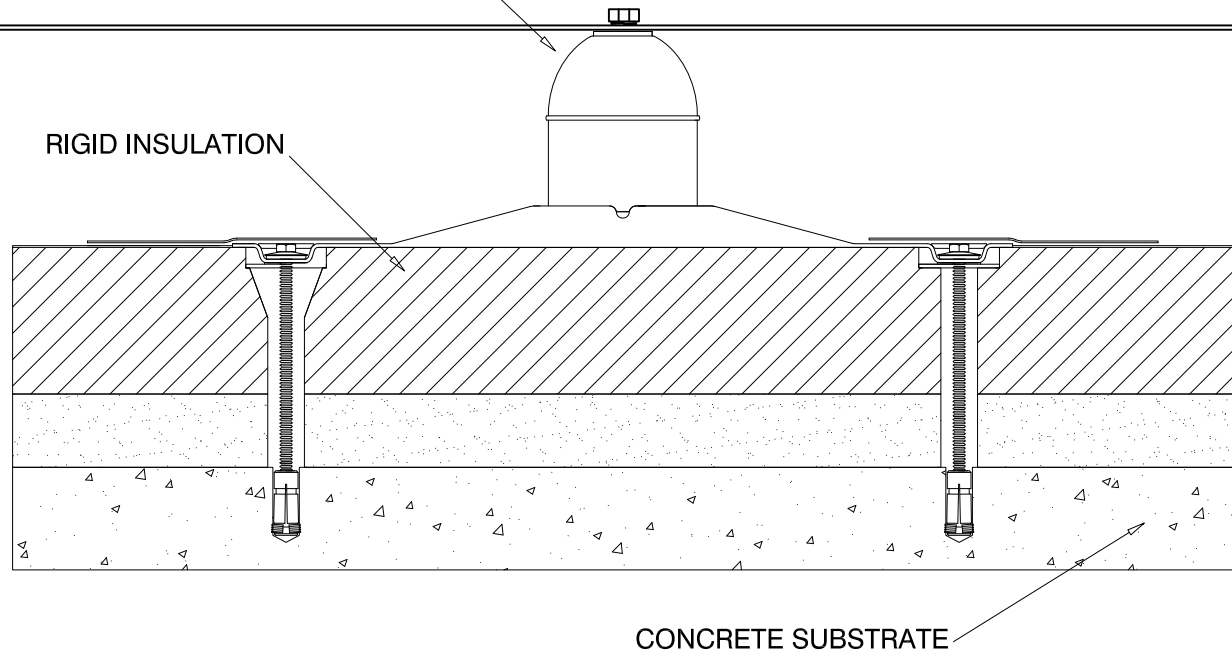
CAN BE USED AS TIE BACK (LOADING MUST BE APPROVED BY LATCHWAYS)

MANUAL	SECTION	DWG NO.
LWD/1	6	62

SOLAR PANEL SUPPORTING STRUCTURE BY OTHERS



LATCHWAYS SOLAR PANEL SUPPORT POST  
(PART NO. 47000-00)



SOLAR PANEL SUPPORT POSTS FITTED IN ACCORDANCE WITH LATCHWAYS DATA SHEET NO. 65616-98-4

SOLAR PANEL SUPPORT POST FIXING DETAIL FOR PVC SINGLE PLY MEMBRANE TO CONCRETE DECKING