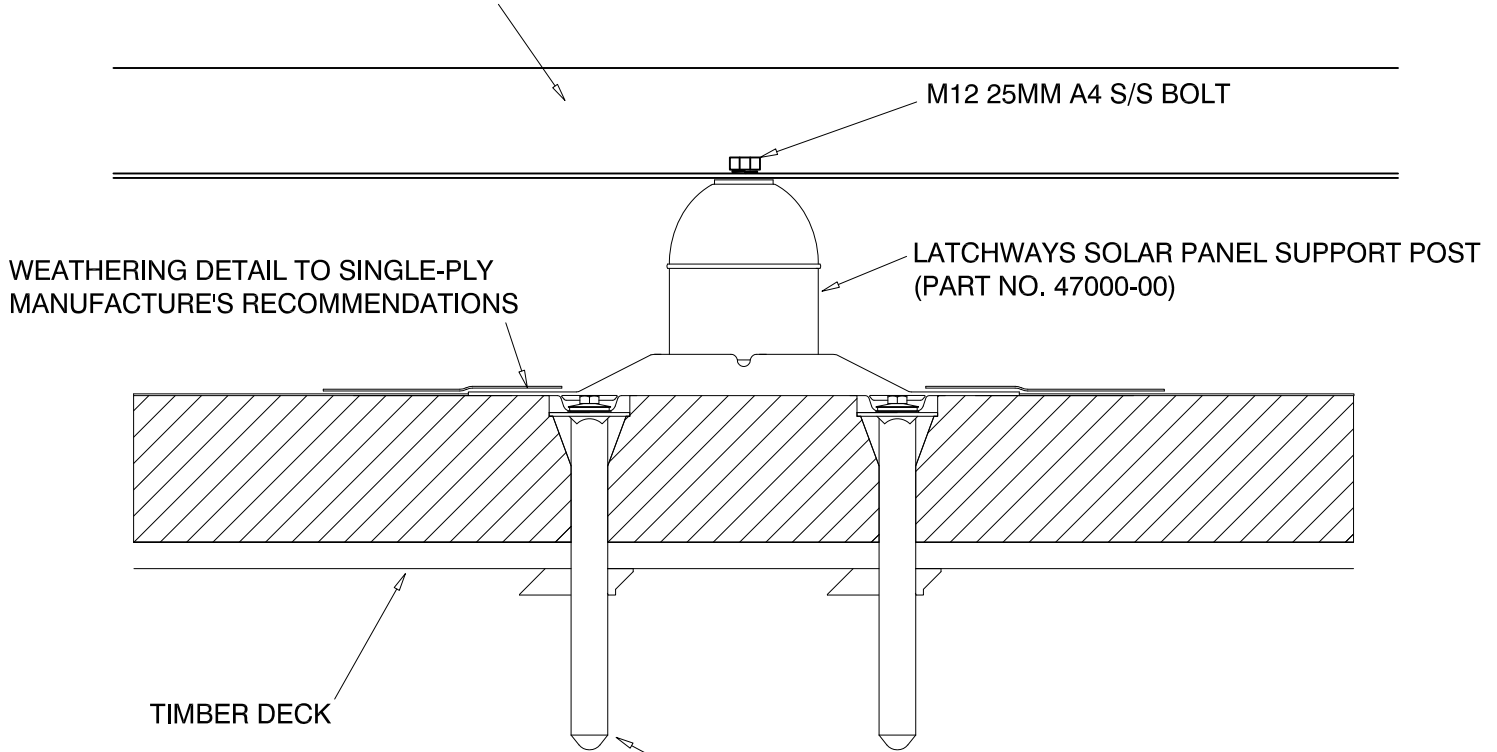


MANUAL	SECTION	DWG NO.
LWD/1	6	61

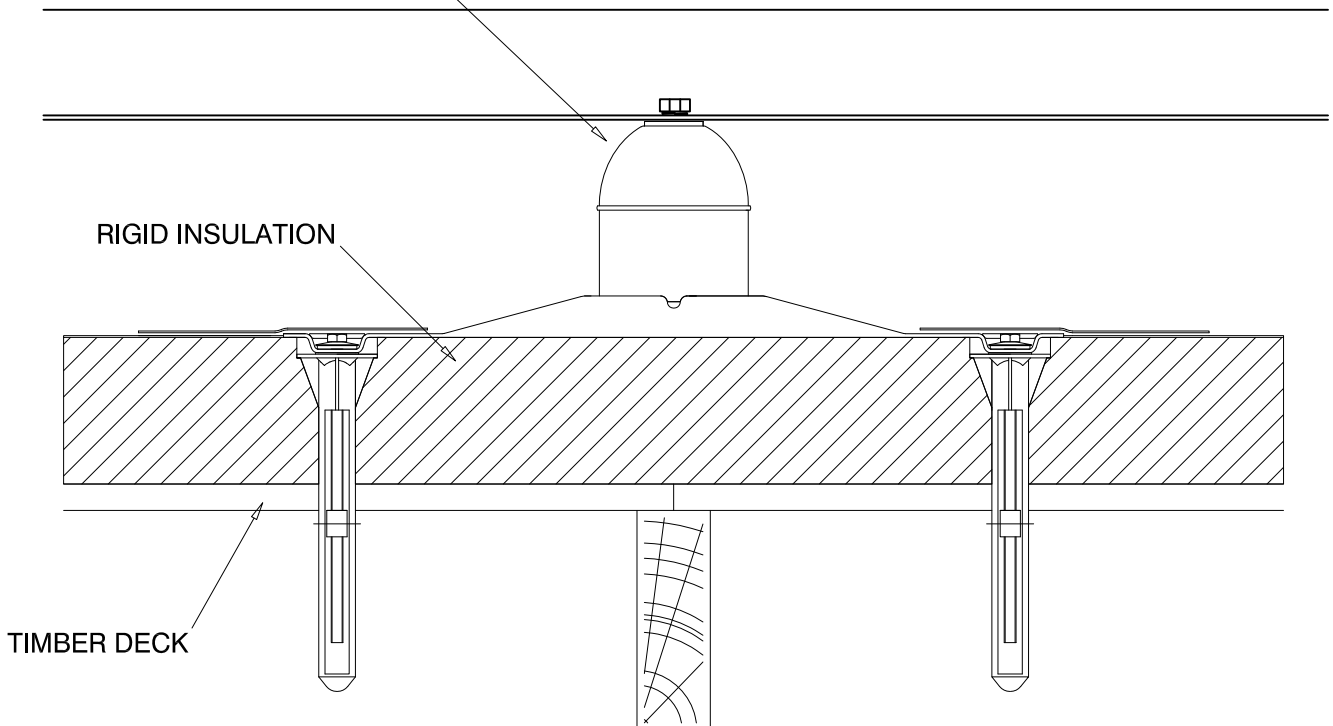
CAN BE USED AS TIE BACK (LOADING MUST BE APPROVED BY LATCHWAYS)

SOLAR PANEL SUPPORTING STRUCTURE BY OTHERS



LATCHWAYS SOLAR PANEL SUPPORT POST
(PART NO. 47000-00)

LATCHWAYS TOGGLE BOLT X 4NO. PER POST
PART NO. 65621-00 (PACK OF 4)



SOLAR PANEL SUPPORT POSTS FITTED IN
ACCORDANCE WITH LATCHWAYS DATA SHEET
NO. 65616-98-4

SOLAR PANEL SUPPORT POST FIXING DETAIL
FOR PVC SINGLE PLY MEMBRANE TO PLY DECK