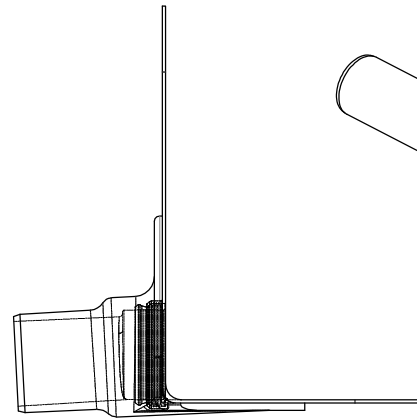
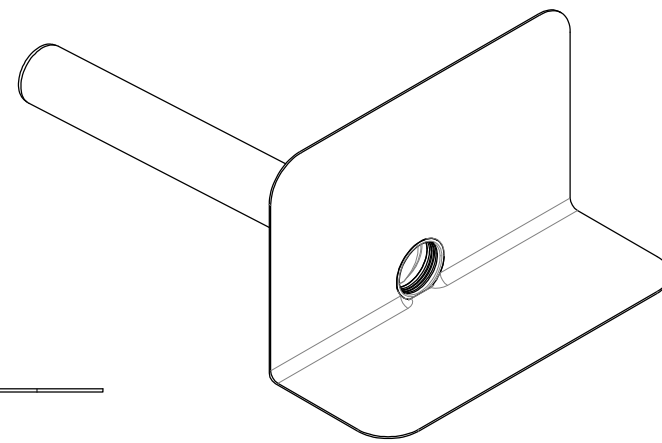


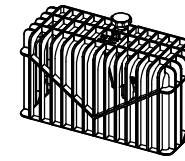
Elevation



Section view



3D view



Leafguard



Extension Piece

Easy Flow RWO	Internal Diameter (mm)	Extension Piece (mm)	Flowrate (l/s) *
70mm	70	500 & 1000	0.6
100mm	100	500 & 1000	0.8

*at 35m head of water

Waterproofing should be installed in accordance with BS 8000: Part 4:1989 and IKO Polymeric fixing instructions.

The details shown are indicative and for approval only and do not form part of any contract.

Data sheets for all IKO Polymeric and IKO PLC products are available on request.

Project specifications are available on request.

Further information on all IKO Polymeric products and services as well as IKO PLC products can be obtained through the contact details printed below.



SIG Design & Technology
Mannheim House, Gelders Hall Road
Shepshed, Leicestershire LE12 9NH
Tel: 0844 443 4778 Fax: 01509 505475
Internet: www.singleply.co.uk
Email: info@singleply.co.uk

TITLE:

**IKO EASY FLOW RWO DETAIL
TECHNICAL INFO**

DATE:

04.04.2017

DRAWN BY:

RH

SCALE:

NTS

DRAWING No:

ASG-6gg

REVISION:

