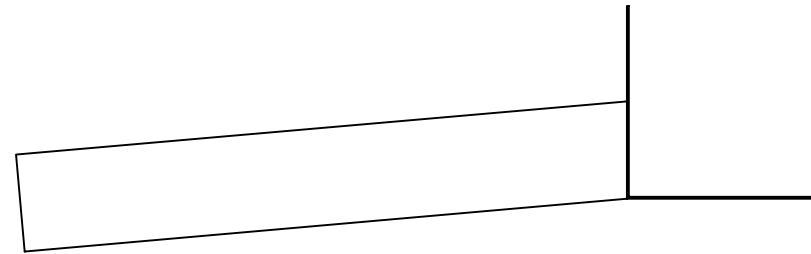
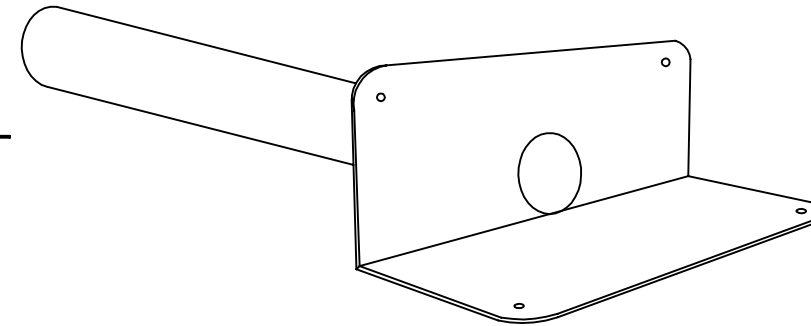


Elevation



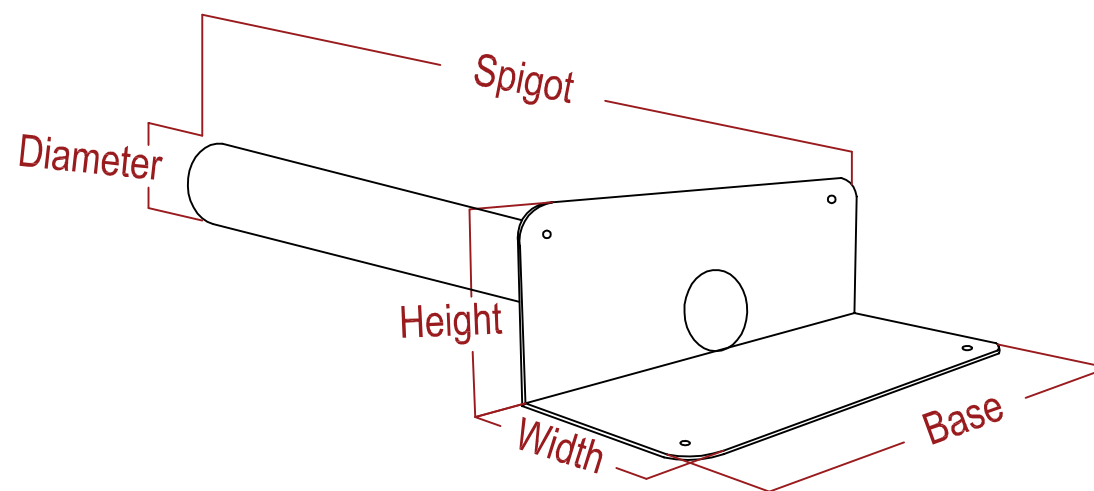
Section view



3D view

Parapet Outlet	Base x Width x Height (mm)	Spigot Length (mm)	Internal Diameter (mm)	External Diameter (mm)	Thickness (mm)	Flowrate (l/s)*
63mm	340 x 150 x 125	500	56	63	3.5	0.5
75mm	340 x 150 x 125	500	68	75	3.5	0.6
90mm	340 x 150 x 160	500	83	90	3.5	0.8
110mm	340 x 150 x 160	500	103	110	3.5	0.9

*at 35m head of water



Waterproofing should be installed in accordance with BS 8000: Part 4:1989 and IKO Polymeric fixing instructions.

The details shown are indicative and for approval only and do not form part of any contract.

Data sheets for all IKO Polymeric and IKO PLC products are available on request.

Project specifications are available on request.

Further information on all IKO Polymeric products and services as well as IKO PLC products can be obtained through the contact details printed below.



SIG Design & Technology
Mannheim House, Gelders Hall Road
Shepshed, Leicestershire LE12 9NH
Tel: 0844 443 4778 Fax: 01509 505475
Internet: www.singleply.co.uk
Email: info@singleply.co.uk

TITLE:

**PARAPET OUTLET DETAIL
TECHNICAL INFO**

DATE:

04.04.2017

DRAWN BY:

RH

SCALE:

NTS

DRAWING No:

ASG-6ee

REVISION: