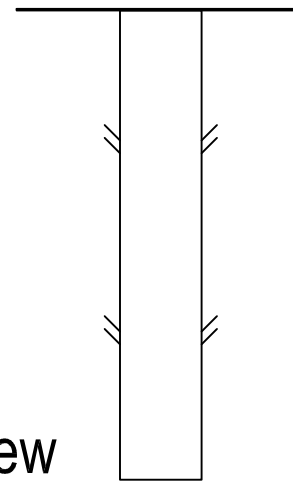
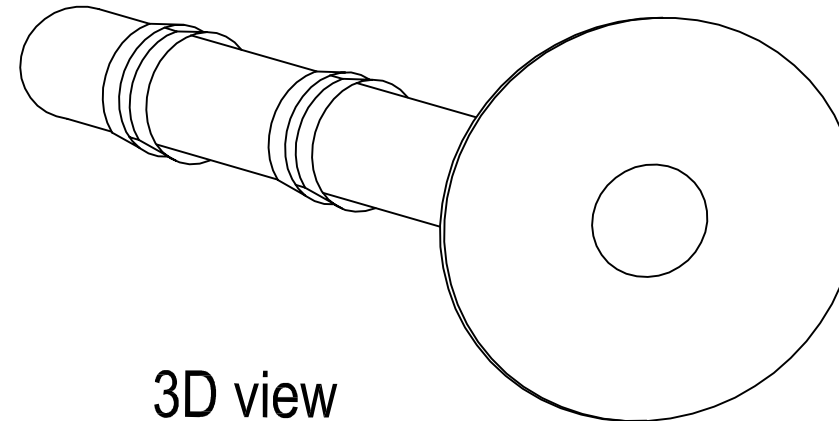


Plan view



Section view



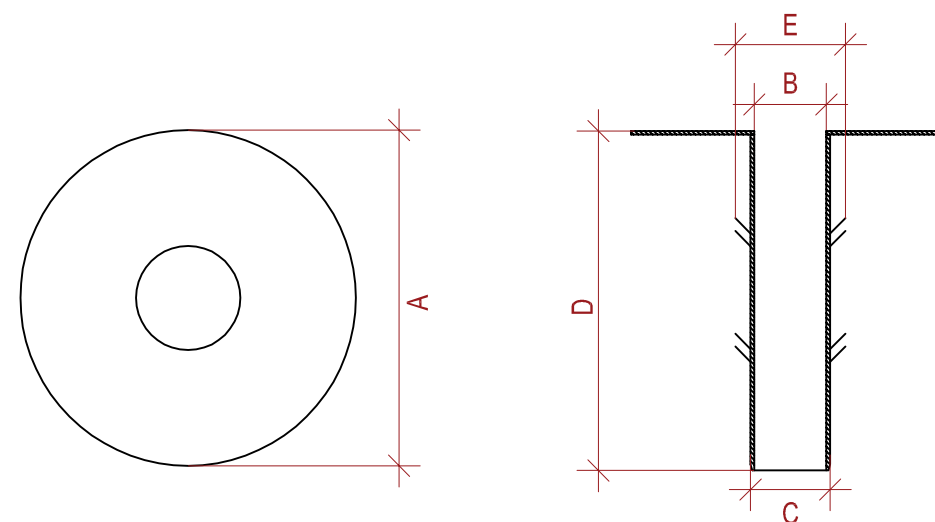
3D view

PVC Refurb	A (mm)	B (mm)	C (mm)	D (mm)	E (mm)	Thickness (mm)	Flowrate (l/s) *
63mm	330	44	49	400	57	2.5	1.6
75mm	330	57	62	400	70	2.5	2.1
90mm	330	72	77	400	85	2.5	2.5
100mm	330	82	87	400	95	2.5	2.8
110mm	390	92	97	400	105	2.5	3
125mm	390	103	108	400	118	2.5	3.5
150mm	390	130	135	400	145	2.5	4.1

*at 35m head of water

Key:

- A - Base Plate
- B - Internal Diameter
- C - External Diameter
- D - Spigot Length
- E - External Diameter + Fins



Waterproofing should be installed in accordance with BS 8000: Part 4:1989 and IKO Polymeric fixing instructions.

The details shown are indicative and for approval only and do not form part of any contract.

Data sheets for all IKO Polymeric and IKO PLC products are available on request.

Project specifications are available on request.

Further information on all IKO Polymeric products and services as well as IKO PLC products can be obtained through the contact details printed below.



SIG Design & Technology
Mannheim House, Gelders Hall Road
Shepshed, Leicestershire LE12 9NH
Tel: 0844 443 4778 Fax: 01509 505475
Internet: www.singleply.co.uk
Email: info@singleply.co.uk

TITLE:

**PVC REFURB ROOF DRAIN DETAIL
TECHNICAL INFO**

DATE: 03.04.2017	DRAWN BY: RH	SCALE: NTS
---------------------	-----------------	---------------

DRAWING No: ASG-6bb	REVISION:
------------------------	-----------