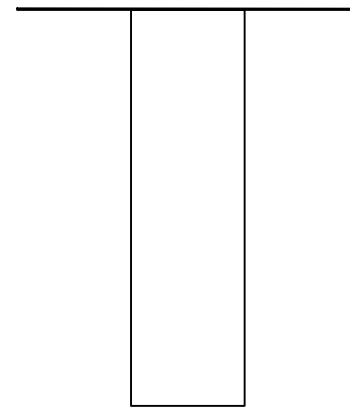
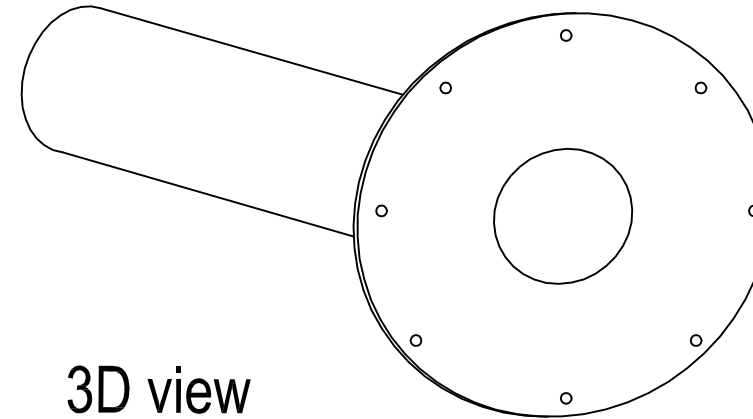


Plan view



Section view



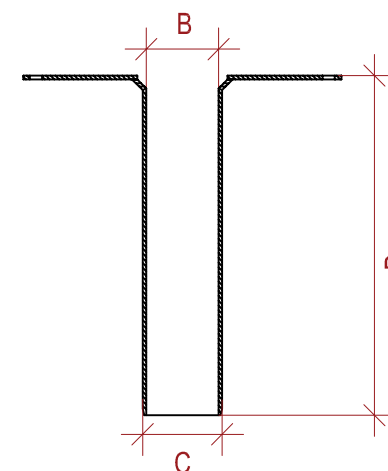
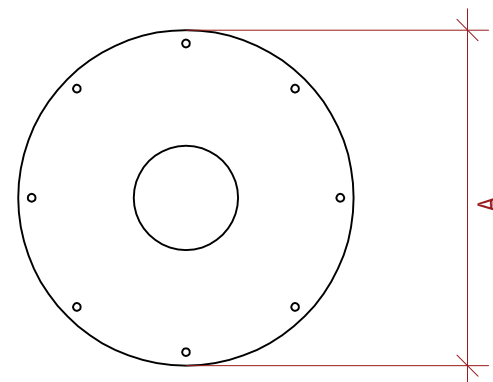
3D view

PVC	A (mm)	B (mm)	C (mm)	D (mm)	Thickness (mm)	Flowrate (l/s) *
50mm	300	43	50	330	3.5	1
56mm	300	49	56	330	3.5	1.2
63mm	300	56	63	330	3.5	1.6
75mm	300	69	75	330	3.5	2.1
90mm	385	83	90	330	3.5	2.5
95mm	385	89	95	330	3.5	2.7
110mm	385	103	110	330	3.5	3
125mm	385	118	125	330	3.5	3.5
140mm	385	133	140	330	3.5	3.9
160mm	385	153	160	330	3.5	4.4

*at 35m head of water

Key:

- A - Base Plate
- B - Internal Diameter
- C - External Diameter
- D - Spigot Length



Waterproofing should be installed in accordance with BS 8000: Part 4:1989 and IKO Polymeric fixing instructions.

The details shown are indicative and for approval only and do not form part of any contract.

Data sheets for all IKO Polymeric and IKO PLC products are available on request.

Project specifications are available on request.

Further information on all IKO Polymeric products and services as well as IKO PLC products can be obtained through the contact details printed below.



SIG Design & Technology
Mannheim House, Gelders Hall Road
Shepshed, Leicestershire LE12 9NH
Tel: 0844 443 4778 Fax: 01509 505475
Internet: www.singleply.co.uk
Email: info@singleply.co.uk

TITLE:

**ROOF DRAIN DETAIL
TECHNICAL INFO**

DATE: 03.04.2017	DRAWN BY: RH	SCALE: NTS
---------------------	-----------------	---------------

DRAWING No: ASG-6aa	REVISION:
------------------------	-----------