

IKO Trendy Rainwater Outlet System

Insulated Vertical Drop Rain Water Outlets

Product Details

Material	Polyurethane (PU)
Colour	Yellow
Diameter Range	70-125 mm
Insulation Thickness Range	50-320 mm



Introduction

IKO Trendy roof outlet, Vertical, is made of thermally insulated polyurethane in accordance with RAL-GZ 694 of GET (quality assurance drainage technology) and DIN EN 1253. Available in a range of diameters to enable direct connection to pipes with push in spigot according to EN 1451-1 and EN 1124-2, for conventional gravity drainage.

The IKO Trendy outlets and extension units are available with pre-fitted flanges of the appropriate waterproofing material - Armourplan, Spectraplan or Bituminous VCL to enable an effective waterproof detail.

When used with an IKO Trendy Extension Unit the outlet can provide a reliable airtight seal in conjunction with the VCL and thermal insulation up to 320 mm thick.

Features & Benefits

- Excellent flow rates means fewer outlets required
- Drainage calculation service
- Efficient and safe installation
- Secure hot air welded interface
- Available in a range of IKO Polymeric waterproofing options
- Allows airtight seal to VCL layer
- Excellent UV resistance and durability
- Shock and impact proof
- Thermally Insulated
- Resistant to environmental pollution

IKO Polymeric

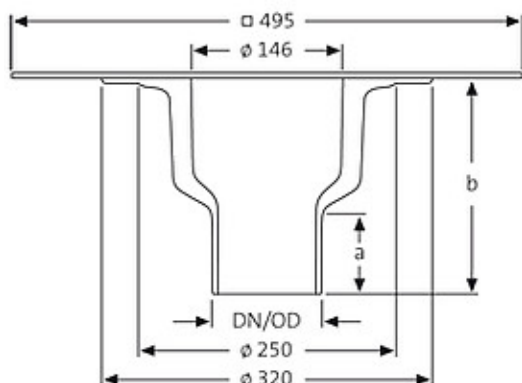
Coney Green Road, Clay Cross
Chesterfield, S45 9HZ

Tel: 01257 488 000

Sales: polymeric.sales.uk@iko.com

Technical: polymeric.technical.uk@iko.com

Product Range – Outlet Units

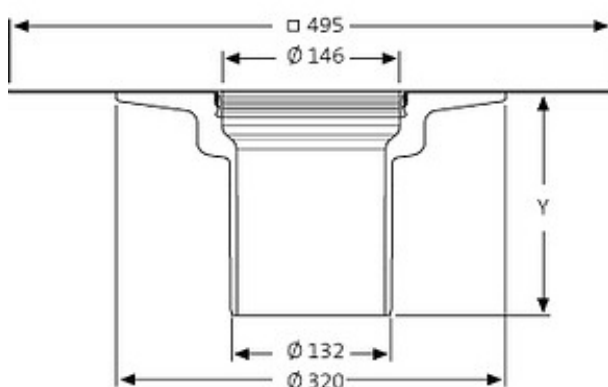


Item Code	Type of Flange	DN	A (mm)	B (mm)	Core Size (mm)
15000070	Armourplan	70 mm	63	210	250
15000090	Armourplan	90 mm	56	125	250
15000100	Armourplan	100 mm	75	210	250
15000125	Armourplan	125 mm	79	210	250
15020070	Spectraplan	70 mm	63	210	250
15020090	Spectraplan	90 mm	56	125	250
15020100	Spectraplan	100 mm	75	210	250
15020125	Spectraplan	125 mm	79	210	250
15030070	Bituminous	70 mm	63	210	250
15030090	Bituminous	90 mm	56	125	250
15030100	Bituminous	100 mm	75	210	250
15030125	Bituminous	125 mm	79	210	250

Flow Rates (l/s) in accordance with EN 1253

RWO Diam.	Head of Water (mm)												
	5	10	15	20	25	30	35	40	45	50	55	60	65
70 mm	0.6	1.4	2.2	3.1	3.9	4.7	5.5	6.6	7.6	8.6	9.5	10.4	11.3
90 mm	0.4	1.3	2.1	3.3	4.5	5.5	6.5	7.3	8.0	8.6	9.2	-	-
100 mm	0.6	1.5	2.3	3.3	4.3	5.2	6.1	7.3	8.5	9.4	10.3	11.0	11.7
125 mm	0.7	1.6	2.4	3.3	4.2	5.1	5.9	7.3	8.7	10.1	11.4	12.7	14.0

Product Range – Extension Units

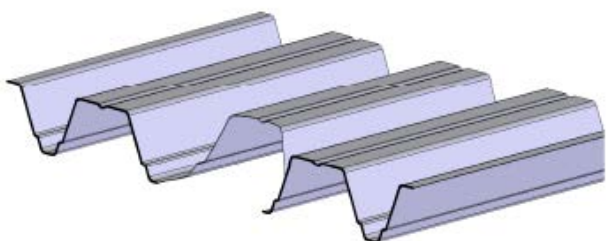


Item Code	Type of Flange	Insulation Range	Y (mm)
15010110	Armourplan	60 - 110 mm	142
15010150	Armourplan	60 - 150 mm	183
15010220	Armourplan	120 - 220 mm	251
15010320	Armourplan	60 - 320 mm	355
15040110	Spectraplan	60 - 110 mm	142
15040150	Spectraplan	60 - 150 mm	183
15040220	Spectraplan	120 - 220 mm	251
15040320	Spectraplan	60 - 320 mm	355

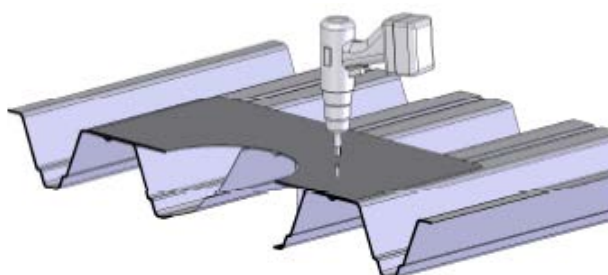
1. Roof outlets are to be fitted at the lowest point of a roof.
2. In the case of steel trapezoidal profile deck, penetrations are to be reinforced by a strengthening sheet where appropriate.
3. The outlet body is to be fixed to the substructure.
4. Skewing of the extension unit through relative movements of the roof construction must be prevented by mechanical fixing of the unit.
5. Roof outlets must be freely accessible for maintenance purposes.
6. Roof outlets and the connected pipelines must be protected against "cold bridging" where appropriate, e.g. using aluminium-coated rock wool.
7. Roof outlets should be inspected at least twice per year.

IKO Trendy Outlet System Installation

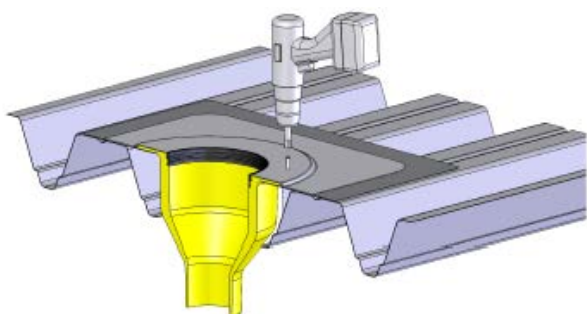
1). Locate the position of the outlet hole at the lowest point of the roof and cut to 250 mm diameter.



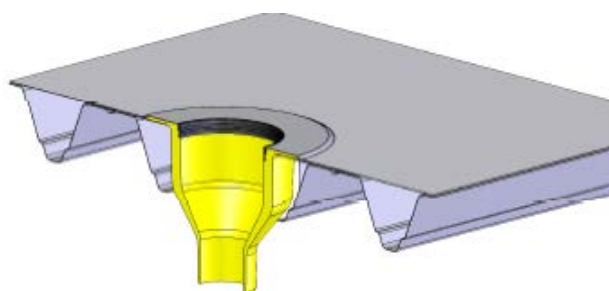
2). When installing over a trapezoidal steel deck care should be taken to install a support plate where necessary.



3). Install the IKO Trendy outlet and mechanically fasten to the substrate with appropriate IKOfix fasteners.

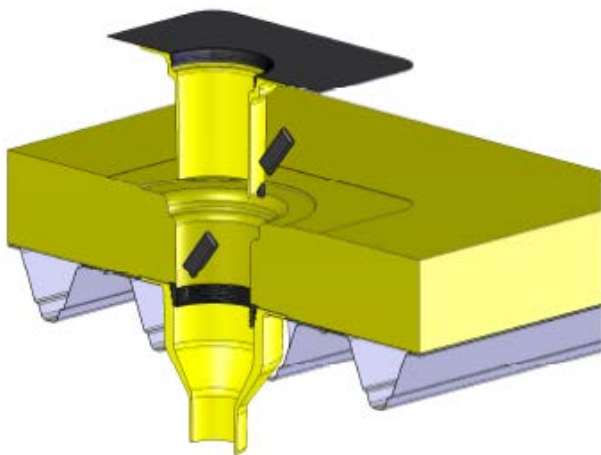


4). Install the vapour control layer and seal to the outlet flange using butyl tape if using Spectravap VCL or by hot air welding / torch-on application if an IKO bituminous VCL is being used.

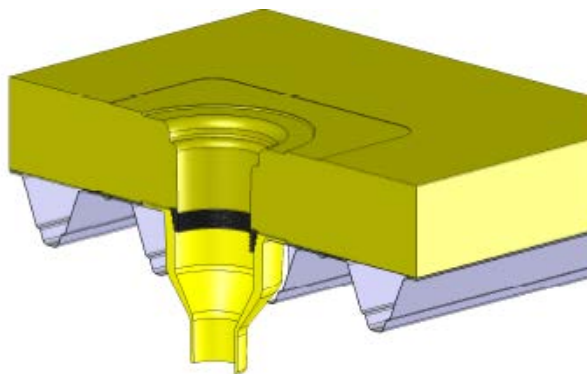


5). Install the rubber sealing ring into the outlet opening.

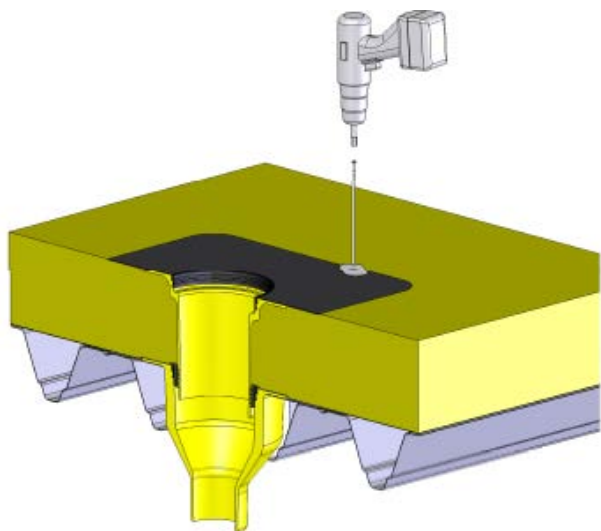
Install the thermal insulation and rebate to the profile of the extension unit as necessary.



6). Shorten the extension unit if necessary and apply the enclosed lubricant to the rubber sealing ring and the bottom of the extension unit. The extension unit should go past the bottom of the rubber sealing ring to ensure a good fit.

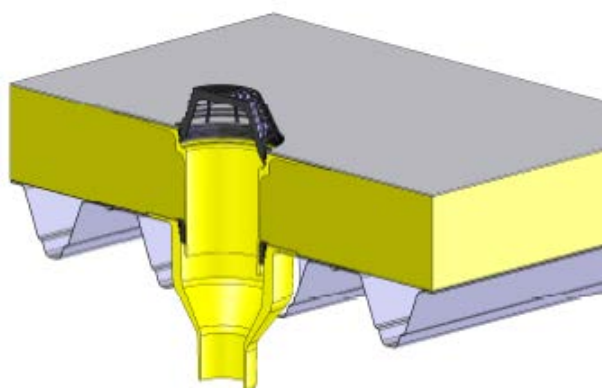


7). Install the extension unit by pushing through in to the rubber sealing ring and secure by fixing the membrane flange to the substrate using IKOfix fasteners and IKOfix GOK thermally broken pressure plates.



8). Install the Armourplan or Spectraplan membrane by hot air welding to the top of the appropriate membrane flange connected to the extension unit.

Install the domed leaf guard supplied into position.



Further Product Information

Full product literature and technical sheets are available as downloads from our website: www.ikopolymeric.com or on request by email: polymeric.marketing@iko.com

IKO Polymeric
Coney Green Road, Clay Cross
Chesterfield, S45 9HZ

Tel: 01257 488 000
Sales: polymeric.sales.uk@iko.com
Technical: polymeric.technical.uk@iko.com