

# Product Data Sheet

## July 2016

### IKO Easy Flow Rainwater Outlet System

#### Insulated Parapet Rain Water Outlets

##### Product Details

Outlet Material	Polyurethane (PU)
Pipe Material	Polypropylene (PP)
Colour	Yellow/Black
Diameter Range	70 & 100 mm
Spigot Length	500 & 1000 mm



##### Introduction

IKO Easy Flow parapet outlets are made from thermally insulated polyurethane in accordance with RAL-GZ 694 of GET (quality assurance drainage technology) and DIN EN 1253. Available in a range of diameters with optional pipe lengths, IKO Easy Flow outlets enable effective drainage through the parapet wall up to 1m wide in to a rainwater hopper.

IKO Easy Flow outlets are available with pre-fitted flanges of the appropriate waterproofing material – Armourplan or Spectraplan to enable an effective waterproof detail.

##### Features & Benefits

- Drainage calculation service
- Efficient and safe installation
- Secure hot air welded interface
- Available in a range of IKO Polymeric waterproofing options
- Excellent UV resistance and durability
- Shock and impact proof
- Thermally Insulated
- Resistant to environmental pollution

##### Product Range – Easy Flow Outlet Units



Item Code	Type of Flange	Dia.
45000005	Armourplan	70 mm
45000010	Armourplan	100 mm
45000006	Spectraplan	70 mm
45000011	Spectraplan	100 mm

##### IKO Polymeric

Coney Green Road, Clay Cross  
Chesterfield, S45 9HZ

Tel: 01257 488000

Sales: [polymeric.sales.uk@iko.com](mailto:polymeric.sales.uk@iko.com)

Technical: [polymeric.technical.uk@iko.com](mailto:polymeric.technical.uk@iko.com)

Flow Rates (l/s) in accordance with EN 1253											
RWO Diam.	Head of Water (mm)										
	20	30	35	40	45	50	60	70	80	90	100
70 mm	0.3	0.5	0.6	0.8	1.0	1.1	1.4	1.7	2.0	-	-
100 mm	0.4	0.7	0.8	1.0	1.2	1.4	1.9	2.4	2.9	3.6	4.3

## Product Range – Easy Flow Pipe



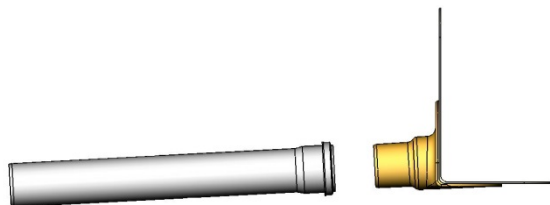
Item Code	Pipe Dia.	Pipe Length
45000003	70 mm	500 mm
45000008	100 mm	500 mm
45000004	70 mm	1000 mm
45000009	100 mm	1000 mm

## Rainwater Outlet Design Considerations

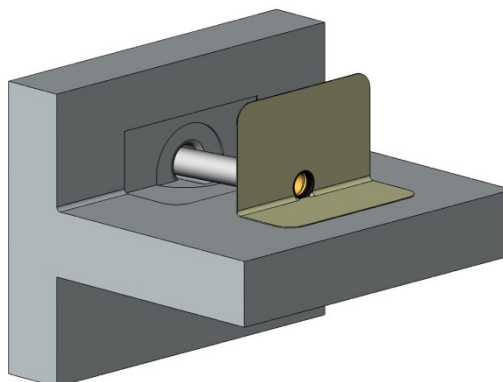
1. Roof outlets are to be fitted at the lowest point of a roof.
2. In the case of steel trapezoidal profile deck, penetrations are to be reinforced by a strengthening sheet where appropriate.
3. The outlet body is to be fixed to the substructure.
4. Roof outlets must be freely accessible for maintenance purposes.
5. Roof outlets and the connected pipelines must be protected against "cold bridging" where appropriate, e.g. using aluminium-coated rock wool.
6. Roof outlets should be inspected at least twice per year.

## IKO Easy Flow Outlet System Installation

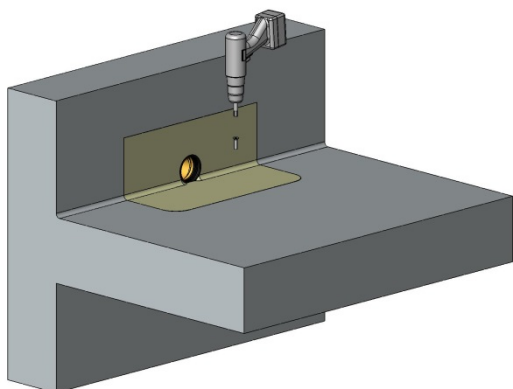
1). Grease the connection socket of the Easy Flow outlet and the sealing of the coupler pipe with lubricant. Push the connection pipe on the socket of the Easy.



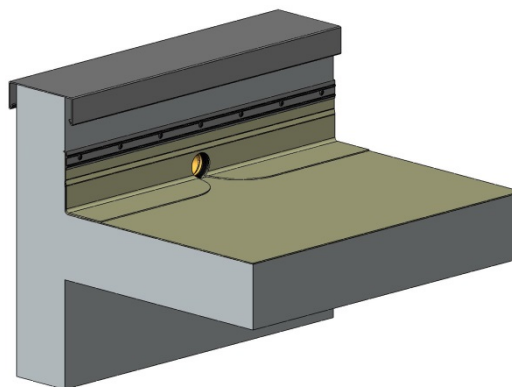
2). Push the Easy Flow outlet with connected connection pipe through the core drill into the parapet.



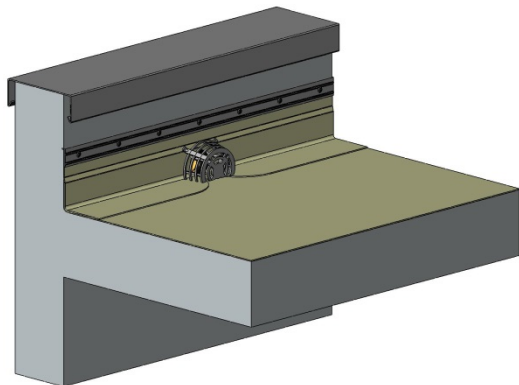
3). Secure the flange of the Easy Flow mechanically using IKOfix fasteners and pressure plates.



4). Hot air weld the roof membrane to the Easy Flow membrane flange.



5). The Easy Flow dome grate can be inserted into the outlet if necessary.



## Further Product Information

Full product literature and technical sheets are available as downloads from our website: [www.ikopolymeric.com](http://www.ikopolymeric.com) or on request by email: [polymeric.marketing@iko.com](mailto:polymeric.marketing@iko.com)

Whilst every care is taken to see that the information given in this literature is correct and up to date it is not intended to form part of any contract or give rise to any collateral liability, which is hereby specifically excluded. Intending purchasers of our materials should therefore verify with the company whether any changes in our specification or application details or otherwise have taken place since this literature was issued.

Company Registered in England No. 2678296 – Registered Office: Appley Lane North, Appley Bridge, Wigan, Lancashire, WN6 9AB



NSPlus

**IKO Polymeric**  
Coney Green Road, Clay Cross  
Chesterfield, S45 9HZ

**Tel:** 01257 488000  
**Sales:** [polymeric.sales.uk@iko.com](mailto:polymeric.sales.uk@iko.com)  
**Technical:** [polymeric.technical.uk@iko.com](mailto:polymeric.technical.uk@iko.com)