

## Armourplan Vertical Rainwater Outlets

### PVC Roof Drain

#### Product Details

Material	PVC
Colour	Grey
Thickness	3.5mm



#### Introduction

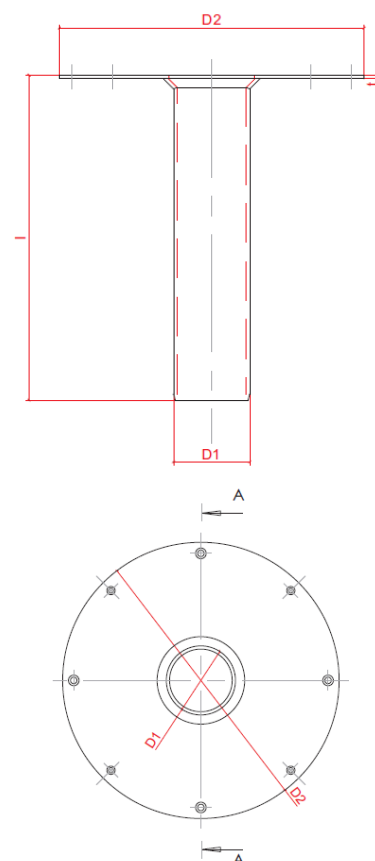
Armourplan rainwater outlets are pre-formed vertical drop outlets manufactured from injection moulded PVC and are available in a wide range of diameters. Armourplan rainwater outlets provide a secure hot air welded solution to roof top drainage when used in conjunction with Armourplan membranes.

#### Features & Benefits

- Good UV resistance and durability
- Excellent mechanical properties and product performance
- Efficient and safe installation
- Secure hot air welded interface

#### Vertical Drop Outlet Dimensions

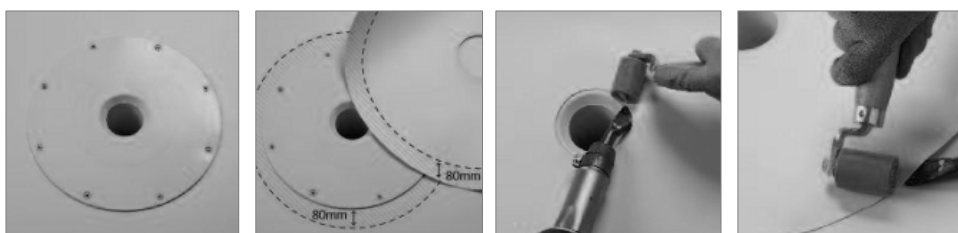
Description	External Diameter	Base Plate Diameter	Spigot Length
PVC Vertical Outlet D50	50mm	300mm	320mm
PVC Vertical Outlet D56	56mm	300mm	320mm
PVC Vertical Outlet D63	63mm	300mm	320mm
PVC Vertical Outlet D75	75mm	300mm	320mm
PVC Vertical Outlet D90	90mm	380mm	320mm
PVC Vertical Outlet D95	95mm	380mm	320mm
PVC Vertical Outlet D110	110mm	380mm	320mm
PVC Vertical Outlet D125	125mm	380mm	320mm
PVC Vertical Outlet D140	140mm	380mm	320mm
PVC Vertical Outlet D160	160mm	380mm	320mm



## PVC Vertical Rainwater Outlet Flow Rates

Description	l/s Flow Rate @ 35mm Head of Water
PVC Vertical Outlet D50	3.7
PVC Vertical Outlet D75	4.6
PVC Vertical Outlet D90	5.3
PVC Vertical Outlet D125	5.55
PVC Vertical Outlet D160	5.6

## PVC Vertical Rainwater Outlet Installation



1. The outlet units should preferably be rebated into the substrate
2. Mechanically fixed systems require additional fasteners beneath the outlet position or around the completed outlet and weathered separately.
3. Connect and seal the Armourplan outlet and mechanically fix to the substrate.
4. Cut a circular membrane apron flashing of Armourplan D / G membrane and hot air weld to the outlet and the membrane.

## Further Product Information

Full product literature and technical sheets are available as downloads from our website:  
[www.ikopolymeric.com](http://www.ikopolymeric.com) or on request by email: [polymeric.marketing@iko.com](mailto:polymeric.marketing@iko.com)

Whilst every care is taken to see that the information given in this literature is correct and up to date it is not intended to form part of any contract or give rise to any collateral liability, which is hereby specifically excluded. Intending purchasers of our materials should therefore verify with the company whether any changes in our specification or application details or otherwise have taken place since this literature was issued.

Company Registered in England No. 2678296 – Registered Office: Appley Lane North, Appley Bridge, Wigan, Lancashire, WN6 9AB



**NS5Plus**