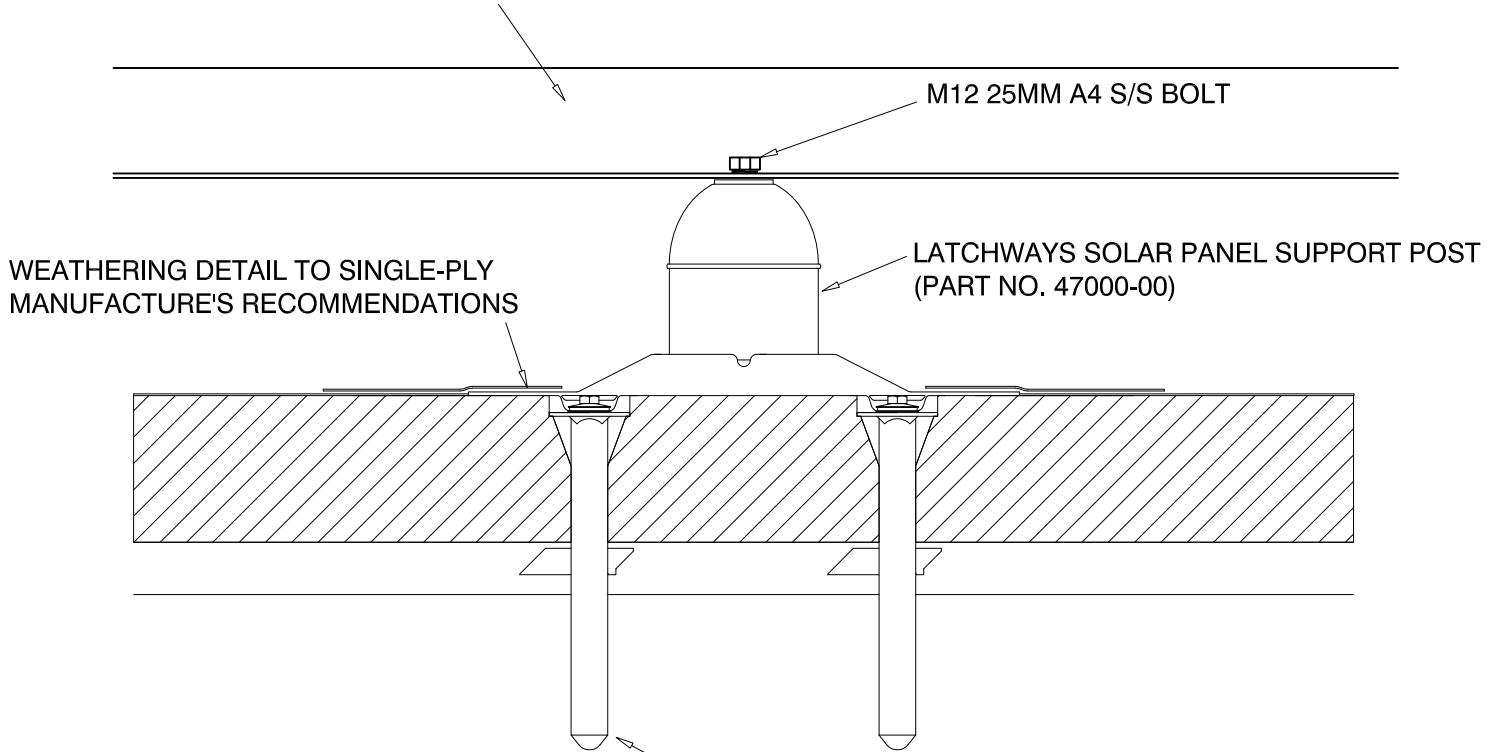


MANUAL	SECTION	DWG NO.
LWD/1	6	60

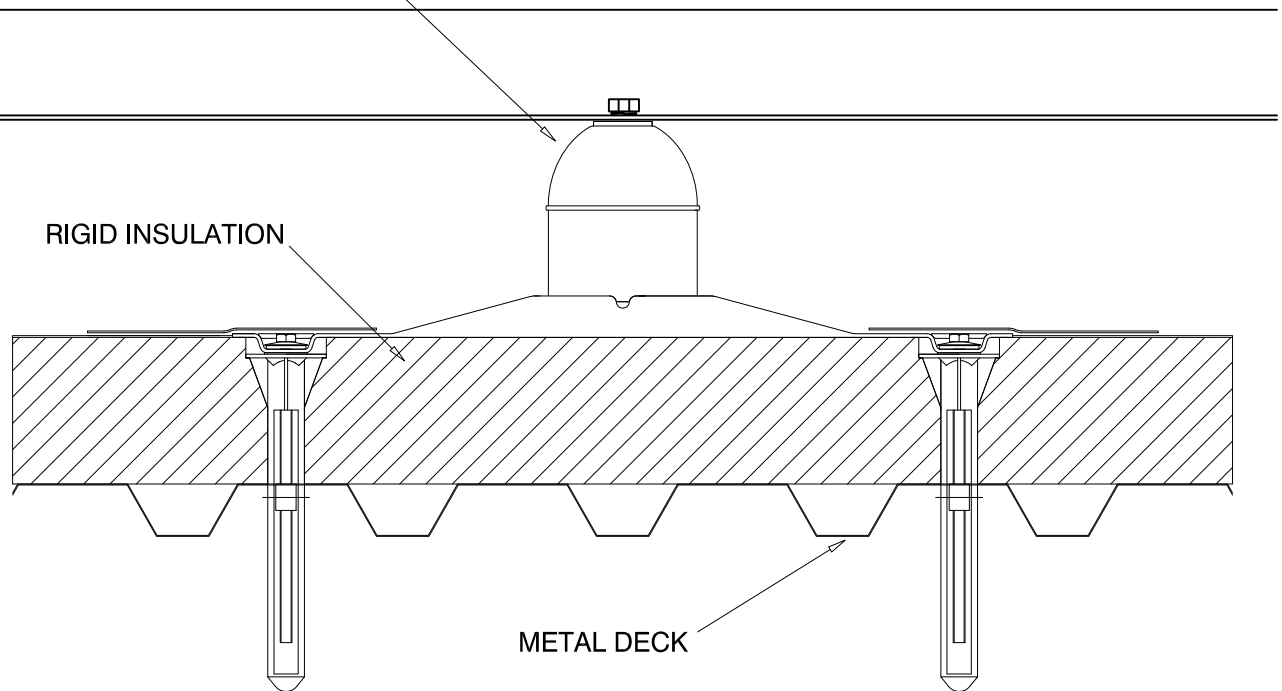
CAN BE USED AS TIE BACK (LOADING MUST BE APPROVED BY LATCHWAYS)

SOLAR PANEL SUPPORTING STRUCTURE BY OTHERS



LATCHWAYS SOLAR PANEL SUPPORT POST  
(PART NO. 47000-00)

LATCHWAYS TOGGLE BOLT X 4NO. PER POST  
PART NO. 65621-00 (PACK OF 4)



RIGID INSULATION

METAL DECK

SOLAR PANEL SUPPORT POSTS FITTED IN  
ACCORDANCE WITH LATCHWAYS DATA SHEET  
NO. 65616-98-4

SOLAR PANEL SUPPORT POST FIXING DETAIL  
FOR PVC SINGLE PLY MEMBRANE TO METAL DECK