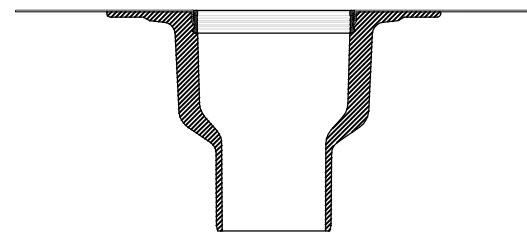
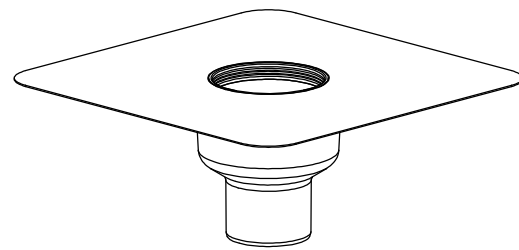


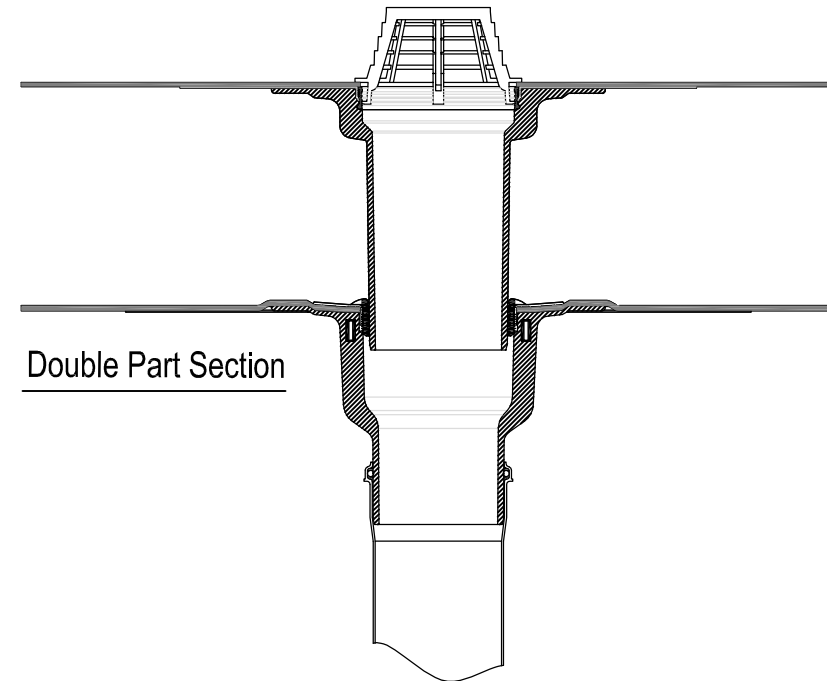
Plan view



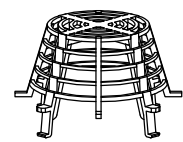
Section view -Trendy RWO



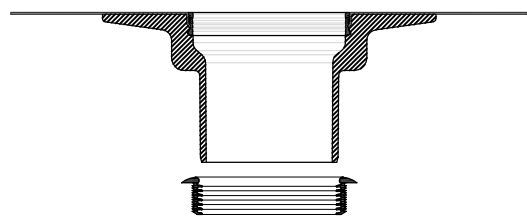
3D view



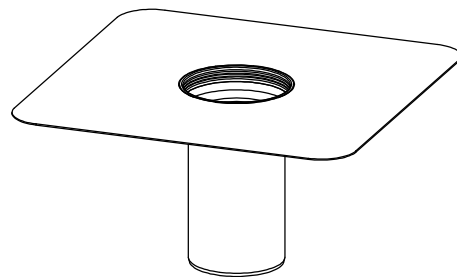
Double Part Section



Leafguard



Section view - Extension

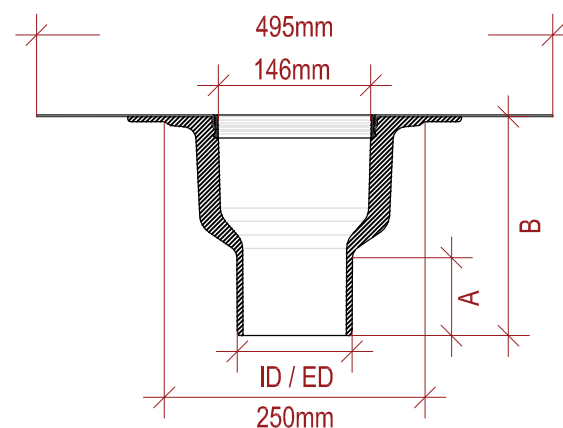
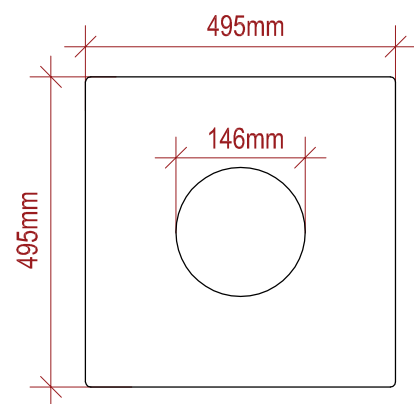


3D view

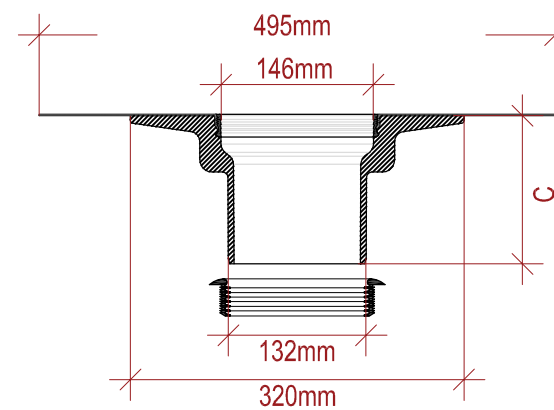
Trendy RWO	ID - Internal Diameter (mm)	ED - External Diameter (mm)	A (mm)	B (mm)	Flowrate (l/s) *
70mm	63	70	63	210	5.5
90mm	78	90	56	125	6.5
100mm	98	110	75	210	6.1
125mm	113	125	79	210	5.9

Extension Unit	
Insulation Range	C (mm)
60 - 110mm	142
60 - 150mm	183
120 - 220mm	251
60 - 320mm	355

*at 35m head of water



Trendy RWO



Extension Unit



SIG Design & Technology
Mannheim House, Gelders Hall Road
Shepshed, Leicestershire LE12 9NH
Tel: 0844 443 4778 Fax: 01509 505475
Internet: www.singleply.co.uk
Email: info@singleply.co.uk

TITLE:

IKO TRENDY OUTLET SINGLE & DOUBLE PART - TECHNICAL INFO

DATE:

03.04.2017

DRAWN BY:

RH

SCALE:

NTS

DRAWING No:

ASG-6cd

REVISION: